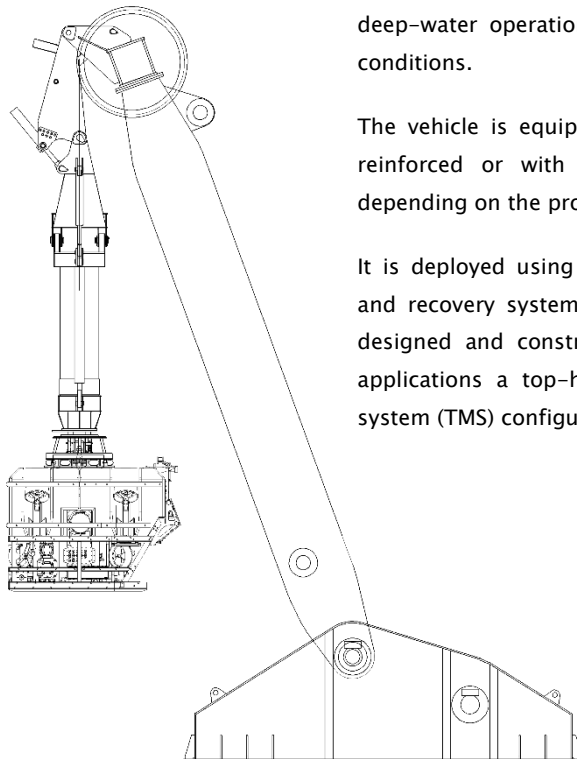
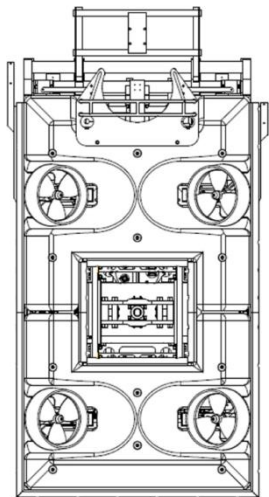
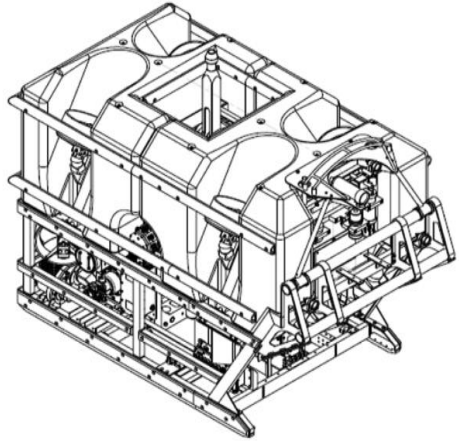


VENOM 3K-200



Telemetry data and video are transmitted from the ROV to the surface control through single-mode optical fibers. PC based control system offers state of the art pilot displays and real time diagnostic features.

The 200 HP electric motor provides thrust power to four horizontal and four vertical Curveteck HT 380 hydraulic thrusters, which provide unrivalled power and control for deep-water operations and adhere weather conditions.

The vehicle is equipped either with aramid reinforced or with an armored umbilical depending on the project needs.

It is deployed using a sophisticated launch and recovery system (LARS) Assodivers has designed and constructed. In deep water applications a top-hat tether management system (TMS) configuration is used.



POWERFUL WORK CLASS ROV

The Venom 3K-200 is designed for heavy subsea-construction and survey operations down to a depth of 3,000 meters.

Its impeccable track record along with continuous improvement/upgrades provides cutting edge technology and maximum efficiency to our clients.

It is fitted with a hydraulic power unit to give a total shaft power of up to 200HP. A modular design allows various modes of operation and tasks to be performed using a single system. The primary role is submarine cable surveillance, maintenance and repair. The power, control and workshop facilities are containerized which allows rapid mobilization on an alternative vessel.

SPECIFICATIONS

Length:	3.0 m
Breadth:	1.7 m
Height:	2.0 m
Weight in air:	4,000 Kg
Payload in seawater:	250 Kg
Depth rating:	3,000 msw
Surface speed:	Horizontal > 3 knots Vertical > 1.5 knots Lateral > 1.5 knots

UMBILICAL

Consisting of multiple Medium Voltage Lines for powering the vehicle and single mode fibers for the communication purposes. Extra simple power lines are also installed for backup purposes, in case of failure of the primary communication lines.

CONTAINERS

- Control Container, A60, 20ft x 8ft with 4 bay Control Console and ROV PDU/HVTU system
- Workshop Container, A60, 20ft x 8ft with work benches and storage facilities
- Spares and Parts Container 1 x 20ft x 8ft

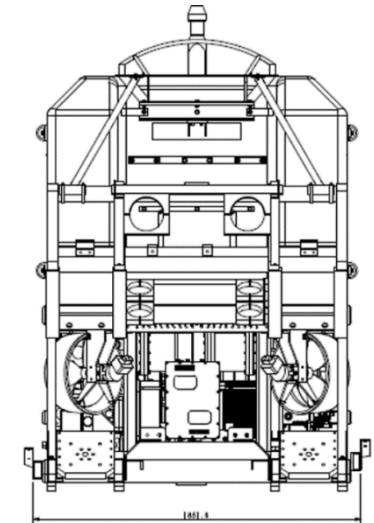
TMS OPTION

A Tether Management System (TMS) configured in a 'Top Hat' style can be utilized during ROV Work Class Mode. The use of the TMS significantly reduces the effect of the umbilical weight, drag and vertical movement on the ROV compared with 'free flying' the ROV connected directly to the umbilical cable.

SENSOR EQUIPMENT

The following sensors and accessories can be provided.

- One (1) Kraft Telerobotics Raptor 7 function force feedback manipulators
- One (1) simple 5 function manipulator
- The System can be equipped with cable/pipe trackers TSS active 350 and passive 440
- One (1) Paroscientific Digiquartz depth sensor conductivity sensor and temperature sensor
- One (1) HCV 100 cable cutter 10-100mm is available
- Eight (8) Titanium ASD low light cameras
- Seven (7) Bowtech led lights
- Four (4) Sub-Atlantic Electric Pan & Tilt units provide 360 degree movement in both axes
- Two (2) Kongsberg 3000msw profile sonar
- One (1) Kongsberg 3000msw imaging sonar
- One (1) Blue View multibeam imaging sonar
- One (1) Tritech Seaking 700 Series Bathymetric and Oceanographic sensor



The specification details are illustrative for marketing purposes only. Actual equipment may be different as a result of product improvement or other reasons. Specific interface and performance information should be reconfirmed at time of order placement. Specifications are subject to change without any prior notification.

Memberships & Accreditations



Assodivers Ltd

69 Okeanidon str. & 38
Charilaou Trikoupi str.
Elefsina, GR 19200,
Greece

Tel: (+30) 210 4527050
Fax: (+30) 210 4527053

central@assodivers.gr

www.assodivers.gr