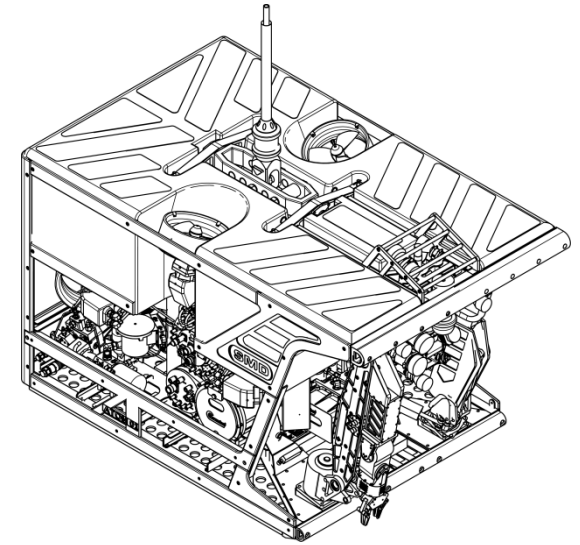
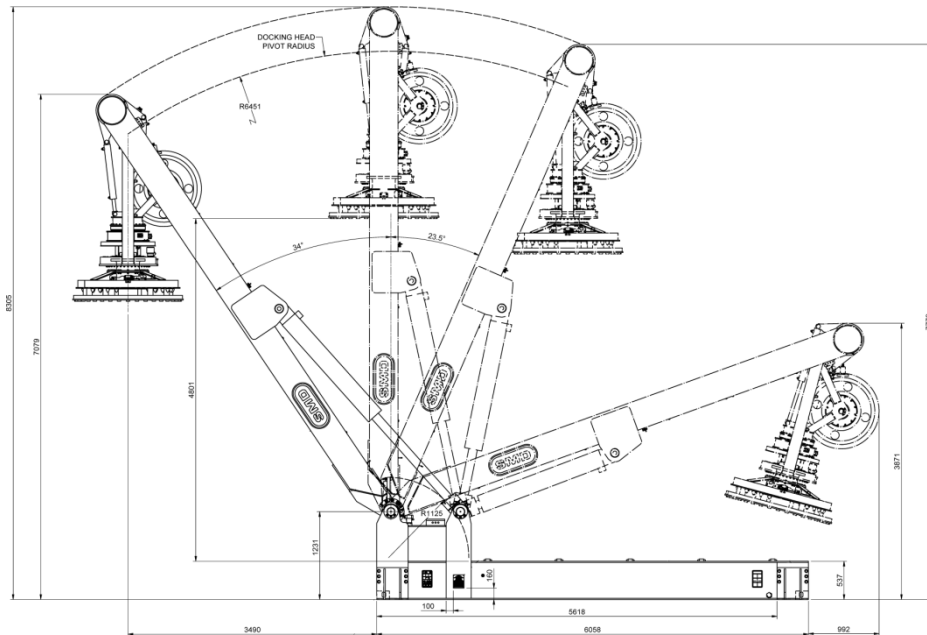


ATOM ROV



ULTRA-COMPACT WORK CLASS ROV

ATOM is an ultra-compact work class ROV comparable in size to an electric ROV system. It is designed to provide underwater manipulative services for operators working in oil and gas, light subsea construction / intervention, well/drill support, survey, salvage and object recovery. Designed with ease of operation and maintenance in mind, the Atom boasts the latest Distributed Vehicle Control System II (DVECSII), graphical displays and pilot aids coupled with proven powerful Curvetech™ components.

Atom is operated as a complete package with SMD's ultra-compact TMS and LARS.

FEATURES

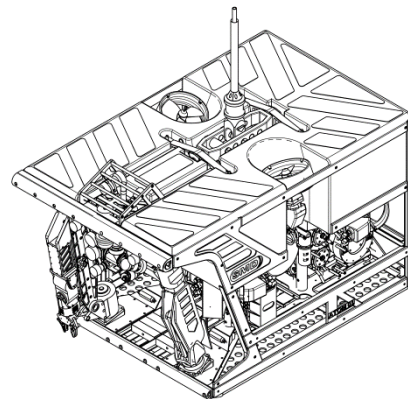
- Ultra compact ROV
- Ability to carry the latest survey instruments
- Easy to operate and maintain
- Extensive free space for mounting tools
- SMD AutoROV DP advanced control modes
- 50% more thrust than comparative electric ROVs

MAIN DATA

Depth rating	2500 msw
Dimensions	L2500 x W1500 x H1500mm
Weight in air (base system)	2000kg
Payload (base system)	150kg
Through frame lift	1500kg

PERFORMANCE

<u>Bollard pull:</u>
Forward/aft 400kgf 550kgf
Vertical (up) 330kgf 330kgf
<u>Surface performance</u>
Forward 2.9kn 3.5kn
Lateral 2.3kn 2.8kn
Vertical 2.0kn 2.0kn
Auto functions heading, depth, altitude
ROV Auto-DP Function
Hydraulic power (total) 100hp (75kW)
Tooling power from main hydraulics



INSTRUMENTS/TOOLING

<u>Hydraulic channels</u>
Standard 10ch iHCU (15LPM), 1ch (high flow)
Torque tool controller
2ch iHCU (95LPM)

Video capability

Standard 6 x channels composite

Fittings:

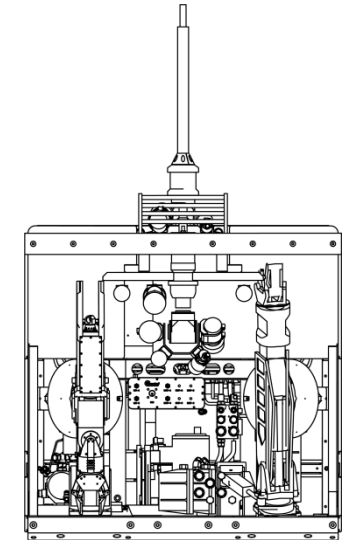
Standard Gyro compass + 1 x NS FOG
Lighting 2 x HID + 6 x LED
Manipulator 1 x 7F position feedback
Grabber 1 x 5F rate, heavy duty

CONTROL CABIN

Control cabin 20ft A60 ISO
Control system SMD DVECSII
Incoming power supplies 380V-440Vac.

ROV control hardware:

Dual touch screens
TFT video wall
Incoming power supplies 380V-440Vac.



The specification details are illustrative for marketing purposes only. Actual equipment may be different as a result of product improvement or other reasons. Specific interface and performance information should be reconfirmed at time of order placement. Specifications are subject to change without any prior notification

Memberships & Accreditations



Assodivers Ltd

69 Okeanidon str. & 38
Charilaou Trikoupi Str.
Elefsina, GR 19200,
Greece

Tel: (+30) 210 4527050
Fax: (+30) 210 4527053

central@assodivers.gr

www.assodivers.gr