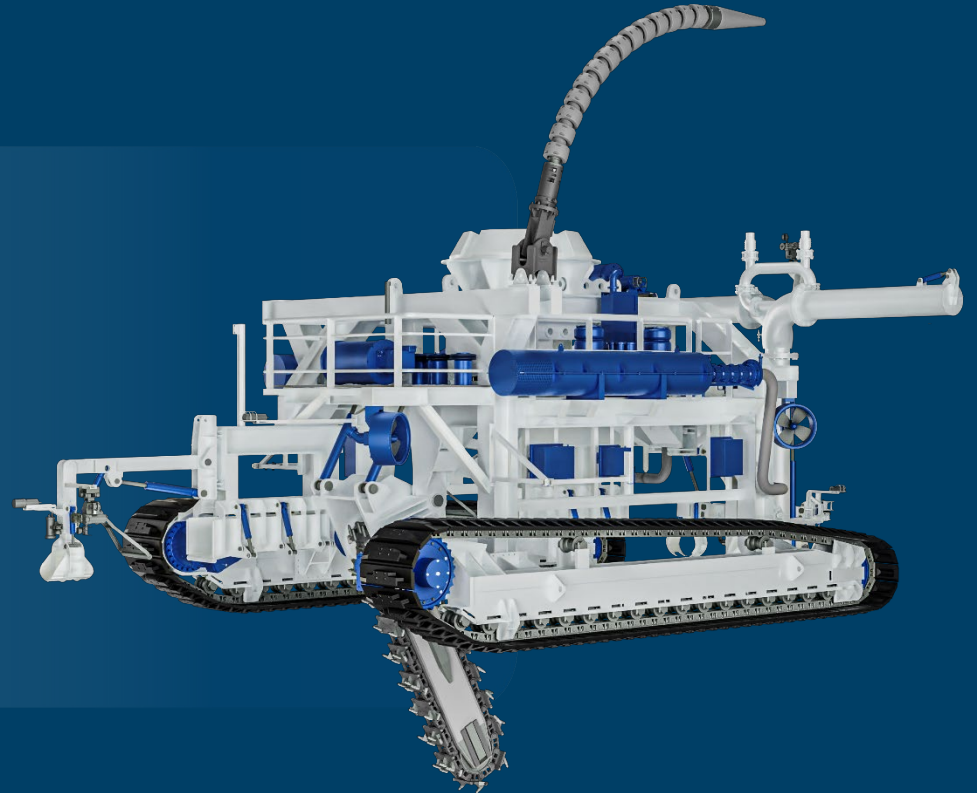


AssoTrencher IV Mk9

Mechanical Trencher



AssoTrencher IV Mk9

Mechanical Trencher

'AssoTrencher IV' sits at the top of trenchers range and has recently undergone its ninth upgrade. Its long track record has proven its worth as durable, efficient and long lasting hard soil and rock trenching machine.

The AssoTrencher IV 9th upgrade is designed to cover the need for Post Lay Burial of flexible products in non-jettable seabed with increased production rates and assurance on the burial depth of the cable with the use of a powerful eductor suction system.

The design of the vehicle has incorporated all the advantages found in the previous arrangements of the Assotrencher IV and in practice combines the ability to load heavy products (incl. bundled) with small to no slack in bottom-loading configuration, ensures trench cleaning with the use of its eductor suction system keeping this way the effectiveness of achieving the burial depth in hard/mixed soil conditions.



Specifications

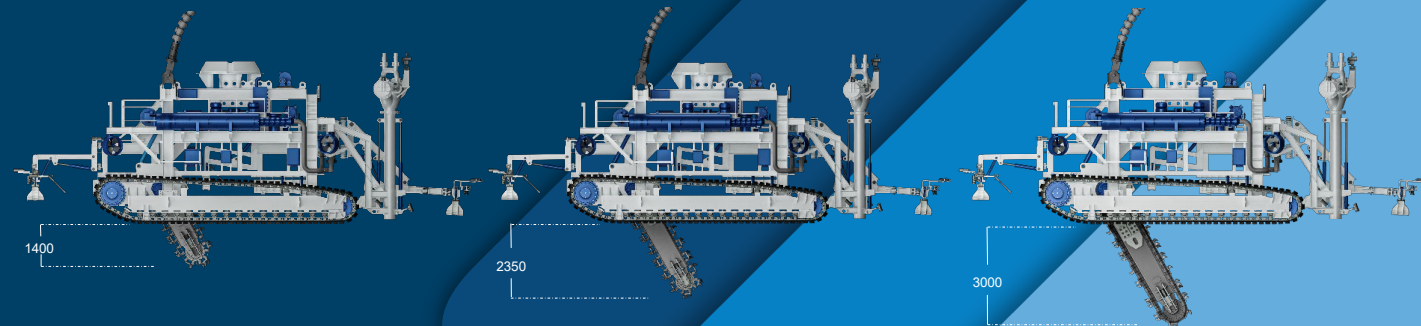
Max. Length	12.5m
Max. Breadth	6.4m
Max. Height	6.5m
Max. Weight	55Te
Depth rating	400m
Cutting Chain Max. Soil Shear Strength	3Mpa
Cutting Wheel Max. Soil Shear Strength	50+MPa
Cutting Chain Max. Trench Depth	2.30m
Cutting Wheel Max. Trench Depth	1.25m
Max. Seafloor Gradient	±15deg (pitch & roll)
Max. Product Diameter	300mm
Total Power	1.560kW
Max. Sea State	Hs 3.0m

Key Features

- 1.56MW of installed power
- 2.30m cutting chain trench depth capability
- 1.25m cutting wheel trench depth capability
- Wide variety of accessories including jet backfilling tool & mouldboards
- In-house design
- Fast trenching rates
- Dead-sub automatic release of product
- Power Management System for optimal performance
- Intelligent VFD controls through in house PDU
- Post Lay Burial with minimal slack requirement of laid product
- AHC launching capability
- Assured cable depth in various soil conditions with the use of eductor system
- Combination of jetting/trenching techniques
- Wide soil range capability

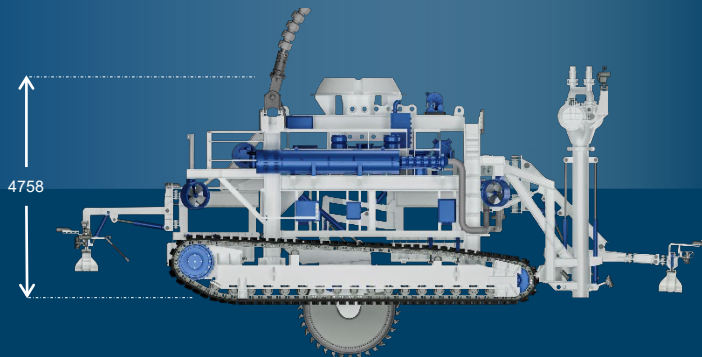
Performance

- 2 x 260kW / 3.3kV electric motors driving the trenching tool
- 2 x 260kW / 3.3kV electric motors driving the two HP water pumps
- 1 x 260kW / 3.3kV motor driving the hydraulic pumps for the thrusters, the vehicle tracks and the auxiliary hydraulic circuits
- 1 x 260kW / 3.3kV project configurable motor according to project needs



Trenching System

- 600mm-wide cutting chain fitted in the middle of the vehicle
- 450mm-wide cutting wheel fitted in the middle of the vehicle
- Bottom loading system with monitoring to allow for safe handling of product
- Eductor suction system fitted on the back of the vehicle to remove backfill material
- Jet backfilling tool & mouldboards fitted on the back of the vehicle to achieve designated cable cover



Sensor Equipment

Up to 16 x low light cameras

Up to 16 x LED high intensity fully dimmable lights

Up to 7 x electric pan/tilt units

Up to 3 x imaging or profiling sonar

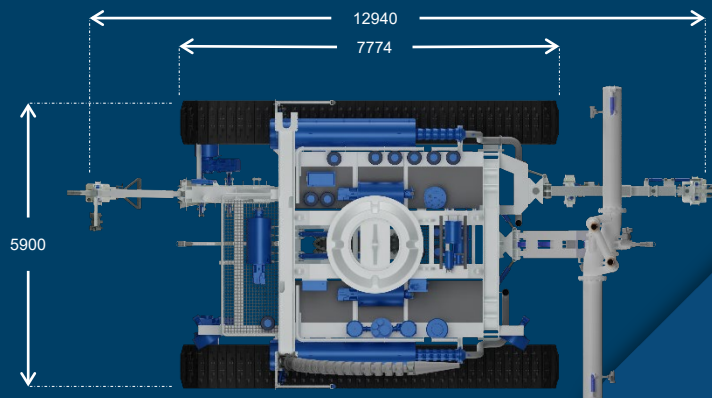
Up to 3 x Blueview 2D Multi-beam sonar

1 x Valeport miniIPS sensor

1x CSL TOGS/NAV FOG, Octans or Lodestar

Cable Tracker TSS 350/440 available

HCV 100 cable cutter available



Vehicle Features

In house design trenching tool for max efficiency

In house design hydraulic system

In house design of water pumps & distribution system

In house design of electrical power-distribution

In house design of cameras, lights & telemetry architecture

In house design of control system

Deep burial at hard/mixed soil conditions and bedrock

Wide variety of tracks to ensure best traction/ground pressure ratio

Supported by the new ASSO design PDUs to allow frequency control on all subsea motors and power management

Dead-sub auto release system

Membership - Accreditations



Disclaimer

The specification details are illustrative for marketing purposes only. Actual equipment may be different as a result of product improvement or other reasons. Specific interface and performance information should be reconfirmed at time of order placement. Specifications are subject to change without any prior notification.

Contact Information

Asso.subsea

Greece

69 Okeanidon & 38 Charilaou Trikoupi Str., Elefsina, 19200

Contact

T (Direct) : (+30) 211.888.5100 T (Main) : (+30) 211.888.5180

E. central@assogroup.com

www.assogroup.com