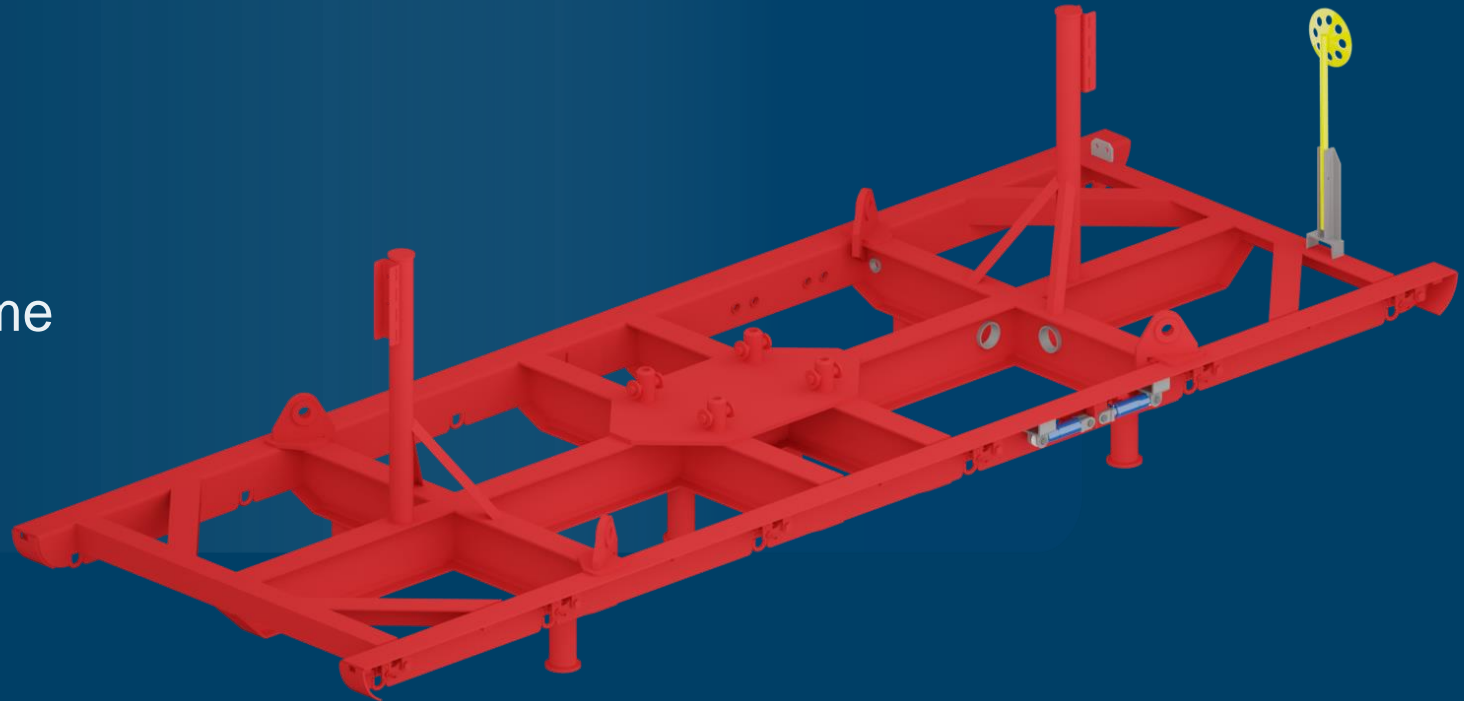


AssoMat III

Mattress Installation Frame



AssoMat III

Mattress Installation Frame

The AssoMat III is a system for fast and accurate installation of mattresses and similar products designed for provision of protection on cables, pipelines and crossings. It is ideal selection for crossings protection and cable/pipe free-span rectification, due to the increased accuracy that can provide.

There are two versions of AssoMat III, a simple one and an optional. The simple version consists of an installation frame, whereas the optional version has the alternative of installing additional equipment such as thrusters, sonars etc.

Simple Version

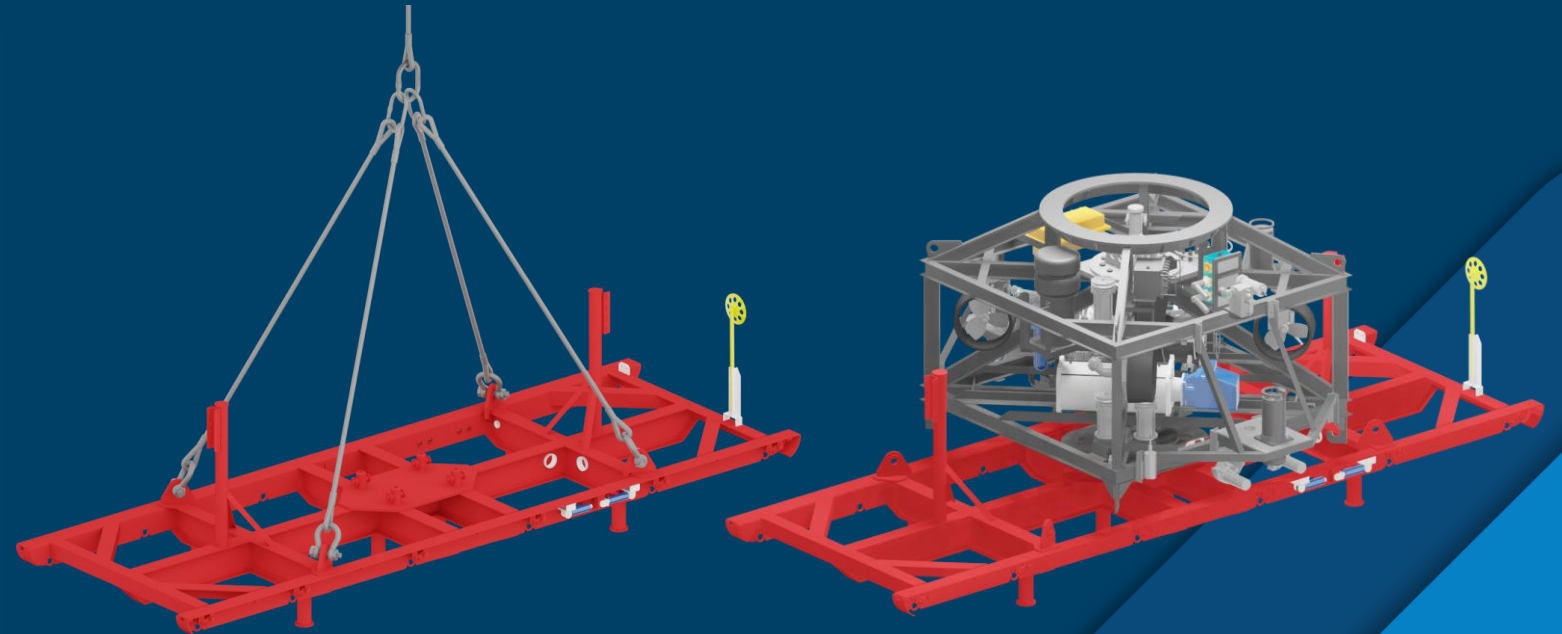
The AssoMat III, in simple version, consists of an installation frame with dimensions of 6.3 m X 2.1 m.

The installation frame is hanging from the vessel's crane by wires and carries a mattress secure and release mechanism.

The release mattress mechanism is activated with the use of an ROV, which pushes, an integrated on frame, lever.

Specifications

Length	6.3 m
Width	2.1 m
Height	1.8 m
Weight	1520 Kg
Max product weight	12000 Kg
Max operation depth	3000 m



Optional Version

The AssoMat III gives also the ability, in terms of design and strength, to be equipped with various equipment.

More specifically the AssoMat III, in this version, is able to carry:

- Up to four thrusters for the controlled movement and the alignment of the frame over the cable.
- An electric/hydraulic power unit for the power transmission to the rest of equipment, for unhindered operation at high water depths.
- A tower with propeller, connected through pins with the frame, for hanging from A-frame by gimbal, during launch or recovery procedure.
- Umbilical for the provision of power supply or data communication from the deck, through suitable equipment.
- Instrumentation such as sonars, cameras and SSBL transponders for monitoring of the operation and positioning of the frame and the cable.
- AssoGrapple multitool, connected through pins with the frame. The control of the frame equipment (hydraulics, instrumentation) can be operated by the multitool.

Optional Equipment

Up to 4 thrusters

1 Hydraulic Power Unit

1 Tower with propeller

1 Umbilical

Venom 3k-200 ROV

Up to 8 low light cameras

Up to 4 pan/tilt

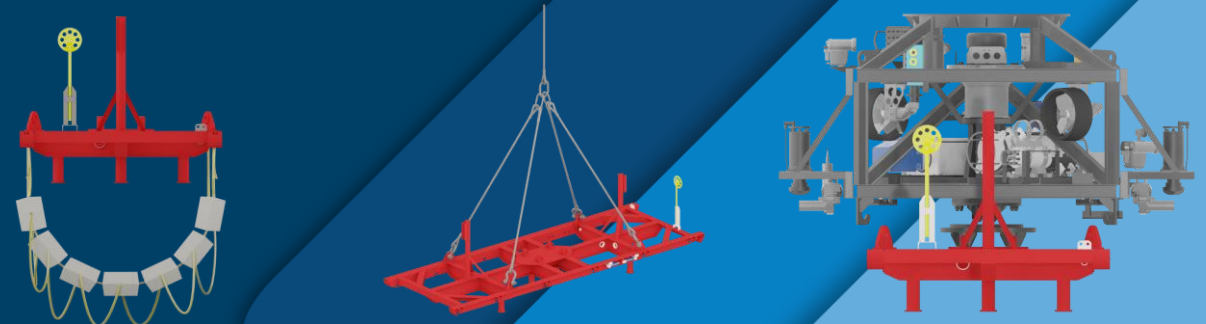
Up to 12 LED lights fully dimmable

Up to 4 sonars (both imaging & profiling)

1 x altimeter

1 x gyro compass

Up to 2 SSBL transponders



Membership - Accreditations



Disclaimer

The specification details are illustrative for marketing purposes only. Actual equipment may be different as a result of product improvement or other reasons. Specific interface and performance information should be reconfirmed at time of order placement. Specifications are subject to change without any prior notification.

Contact Information

Asso.subsea

Greece

69 Okeanidon & 38 Charilaou Trikoupi Str., Elefsina, 19200

Contact

T (Direct) : (+30) 211.888.5100 T (Main) : (+30) 211.888.5180

E. central@assogroup.com

www.assogroup.com